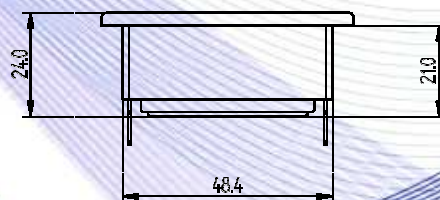
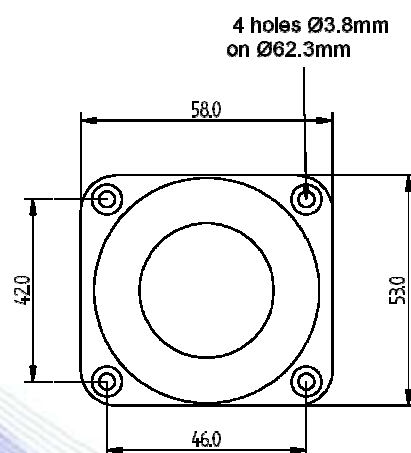


- 1.1" voice coil aluminium former and flat aluminium wire
- Treated silk dome
- Neodymium magnet circuit
- Ferrofluid in the air gap
- 95.8 dB sensitivity

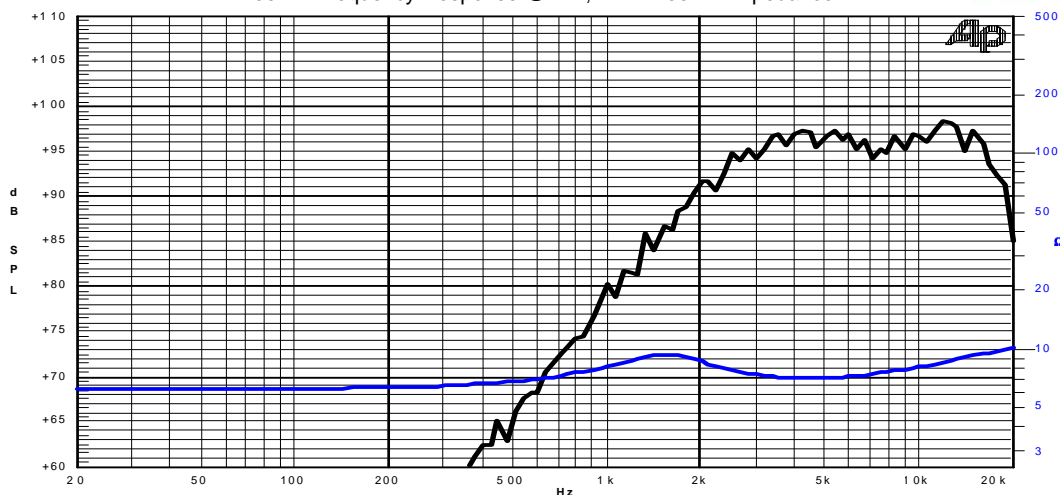


Specifications	
Nominal Dimensions	53x58mm
Nominal Impedance	8Ω
Rated Power AES ⁽¹⁾ (2500 - 20000 Hz)	20W
Continuous Program Power ⁽²⁾	40W
Rated Noise Power (IEC 60268-5) ⁽³⁾	80W
Sensitivity @ 1W/1m ⁽⁴⁾	95.8dB
Voice Coil Diameter	28mm (1.1")
Voice Coil Winding Depth	2.7mm
Magnetic Gap Depth	2mm
Flux Density	1.37T
DC Resistance	6.00Ω
Resonance Frequency	1.5kHz
Magnet Weight	20g
Net Weight	0.08kg
Recommended Crossover Frequency	2.5kHz



Costructive Characteristics	
Magnet	: Neodymium
Voice Coil Winding Material	: Aluminium Flat Wire
Voice Coil Former Material	: Aluminium
Diaphragm	: Treated Silk
Ferrofluid in Air Gap	: Yes
Flange	: Nylon Fiberglass Doped
Spare Part Code	: -

Free Air Frequency Response @ 1W,1m – Free Air Impedance



Note:

- 1 : Rated Power measured with 2 hours test with pink noise signal, 6dB crest factor, loudspeaker mounted on enclosure
- 2: Power on Continuous Program is defined as 3 dB greater than the Rated Power
- 3: Rated Noise Power measured with 100 hours test pink noise, 6dB crest factor IFC60268-5 filtering
- 4: Measured at 1W,1m in axis within the frequency range
- 5: Drawing dimensions: mm